

SPECIFICATION:

MEADRAIN SK-UT-SHORT SERIES POLYMER CONCRETE LOWER GULLY SHORT SECTION WITH PREFORMED KNOCKOUTS FOR $\phi 6"$ AND $\phi 8"$ CONNECTORS.



Supplied By:

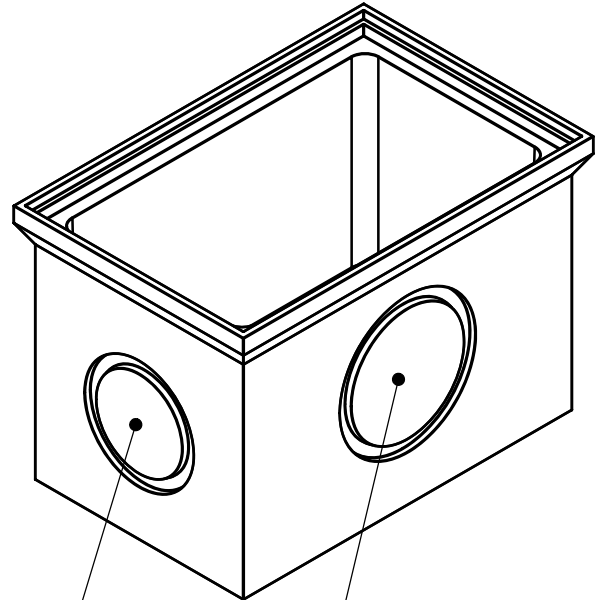
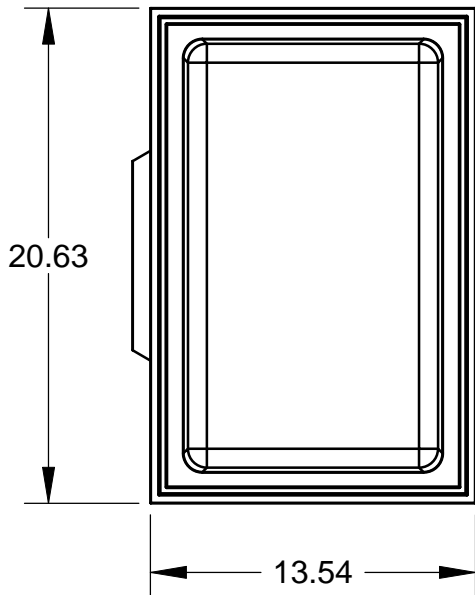
877-903-7246

www.trenchdrainsupply.com

**SK-UT-SHORT
MEA DRAIN**

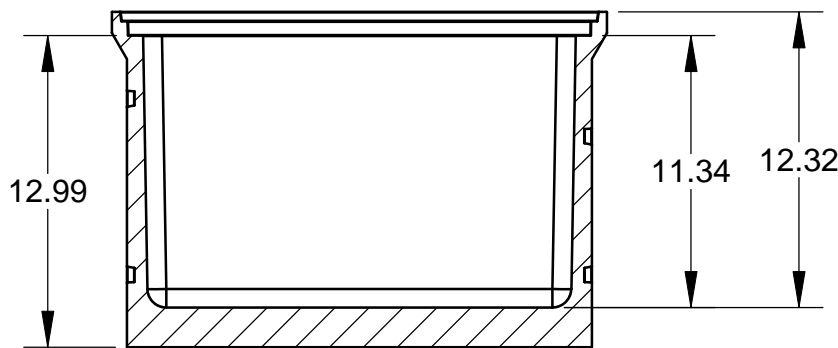
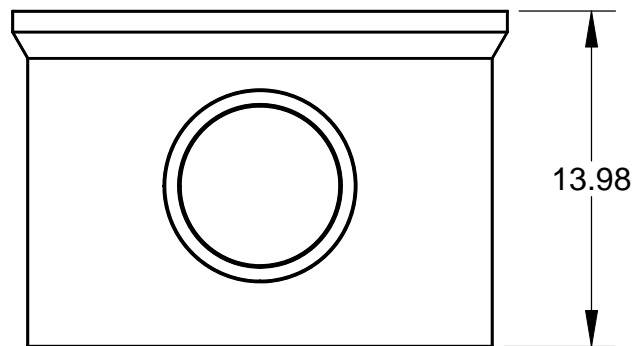
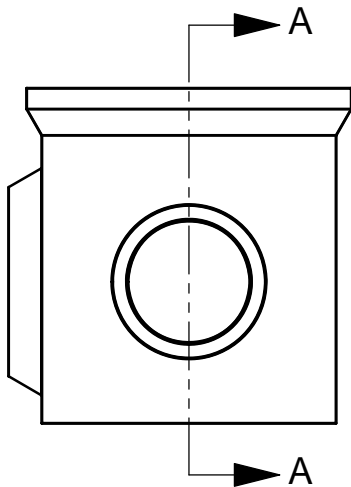
SERIES

154711



$\phi 6"$ KNOCKOUT

$\phi 8"$ KNOCKOUT



SECTION A-A

DATE OF LAST CHANGE: 1/20/11

DIMENSIONS ARE SUBJECT TO MANUFACTURERS TOLERANCES AND CHANGE WITHOUT NOTICE. WE CAN ASSUME NO RESPONSIBILITY FOR USE OF SUPERSEDED OR VOID DATA.

JOSAM COMPANY
MICHIGAN CITY, INDIANA

NOTES